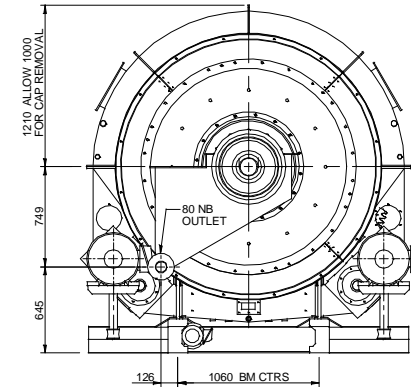
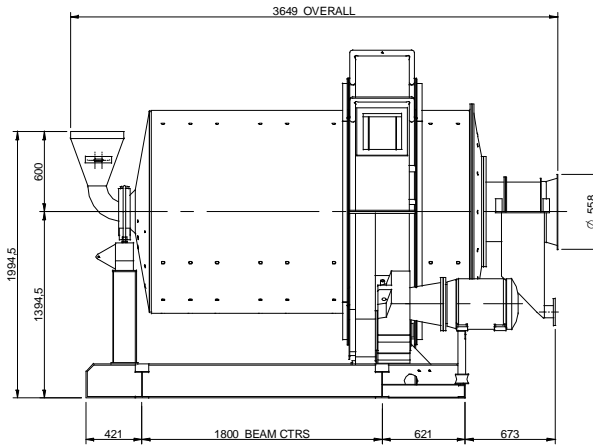
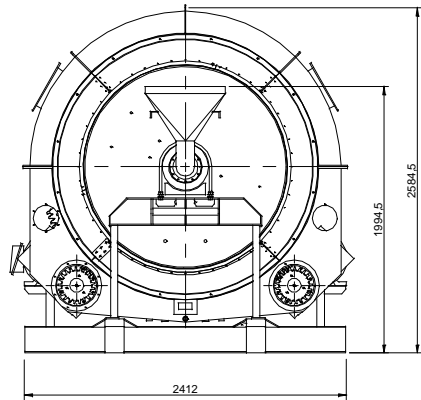
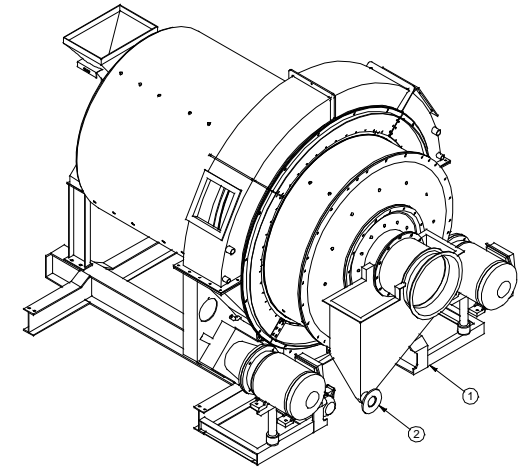
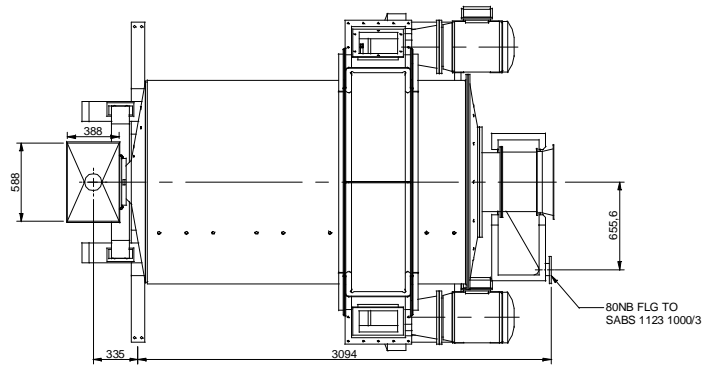
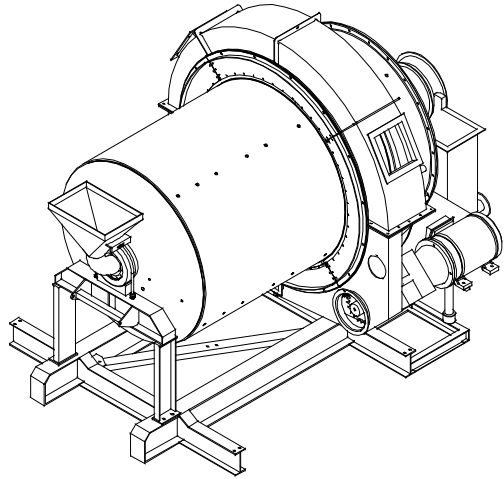


DO NOT SCALE



PDF Created with deskPDF PDF Writer - Trial :: http://www.docudesk.com

Item Number	Document Number	Title	Quantity	Mass
1	06-0067-4012	1.5 DIA X 2.4 LG MILL ASSEMBLY	1	6641.8 kg
2	06-0067-9001	DISCHARGE CHUTE	1	78.7 kg

REFERENCE	DESCRIPTION	DATE	CHECK	TOLERANCES				DRAWN	DT	MATERIAL
				ABOVE	INCL	MACH	FABR/CAST			
				0.5	3	0.1	-	CHECKED	2007/05/15	DT
				3	6	0.1	1	DATE	2006/	by
				6	30	0.2	1.5	ENGINEER		
				30	120	0.3	2.5	DATE	2006/	
				120	315	0.5	3	PROJ N		1ST ANGLE
				315	1000	0.8	4			
				1000	2000	1.2	4.5			
				2000	1500	1.5	5			

MechProTech (Pty) Ltd.
 Mechanical Product and Technology Development for Industry

MILLING SKID ASSEMBLY

SCALE: 1:30 DRWG NO: **A1-06-0067-8000** SHEET 1 OF 1