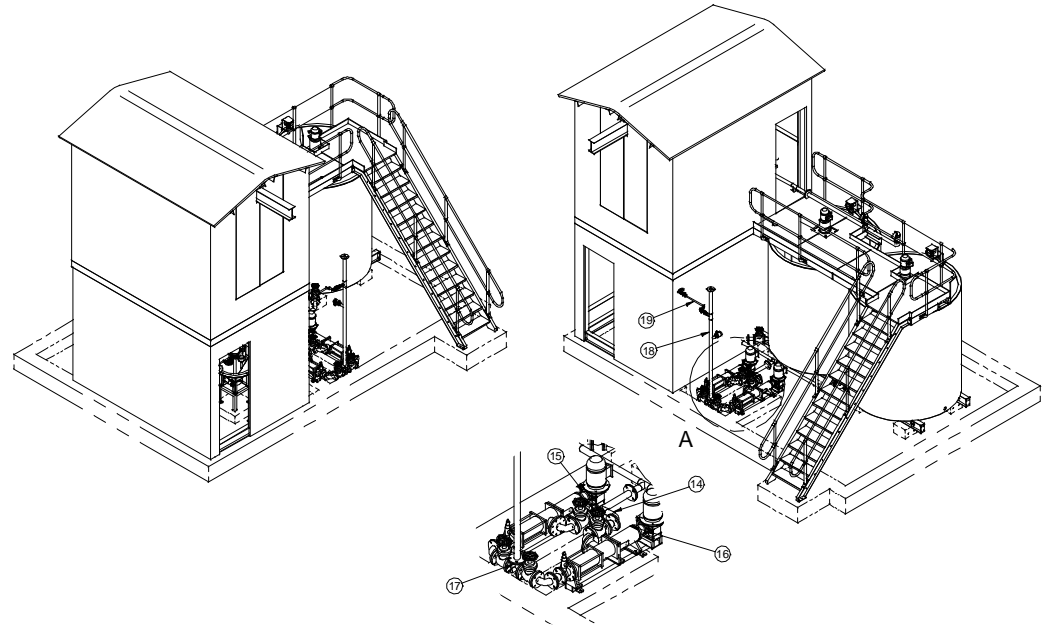
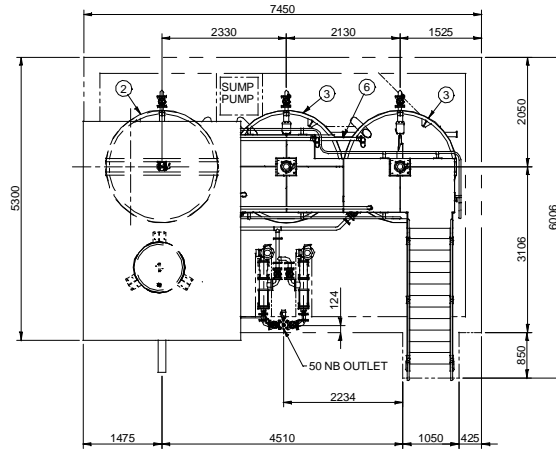
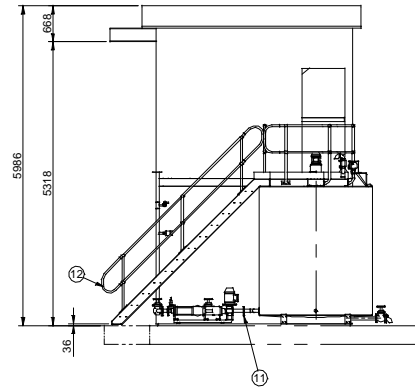
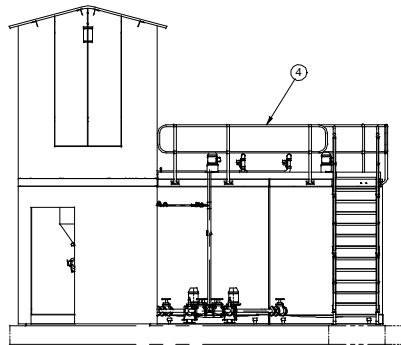
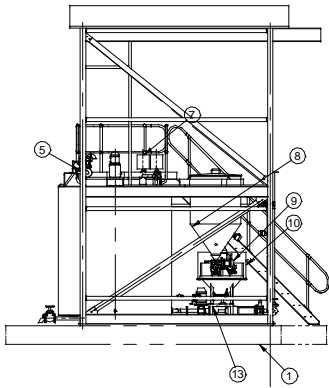


DO NOT SCALE



DETAIL A
1:25



Item No	Document Number	Title	Qty	Mass
1	06-0055-0004	CIVILS	1	15284.4 kg
2	06-0055-0007	TANK ASSEMBLY - RHS	1	1325.5 kg
3	06-0055-0008	TANK ASSEMBLY LHS	2	3326.8 kg
4	06-0055-0085	WALKWAY ASSEMBLY	1	639.4 kg
5	06-0055-0172	STRUCTURE ASSEMBLY	1	2694.1 kg
6	06-0055-0020	WATER INLET PIPING ASSY	1	32.7 kg
7	06-0055-0105	DISTRIBUTION PIPE ASSY	1	103.4 kg
8	06-0055-0066	REAGENT BIN ASSY	1	208.4 kg
9	06-0055-0049	SCREW FEEDER ASSY	1	48.2 kg
10	06-0055-0078	EDUCTOR ASSEMBLY	1	196.0 kg
11	06-0055-0015	HYDRATED REAGENT TANK PIPE	1	20.0 kg
12	06-0055-0080	STAIRWAY ASSEMBLY	1	200.4 kg
13	06-0055-0069	EDUCTOR STAND	1	0.0 kg
14	RP-0004-0001	INLET MANIFOLD	1	7.2 kg
15	06-0055-0030	PUMP ASSEMBLY - OPP HAND	1	211.5 kg
16	06-0055-0030	PUMP ASSEMBLY	1	1293.9 kg
17	RP-0009-0010	50 NB FLANGED TEE	1	5.2 kg
18	06-0055-0160	FLOC SUPPLY PIPE ASSY	1	0.0 kg
19	06-0055-0302	POST DILUTION PIPING ASSY	1	0.0 kg

FOR PIPING & INSTRUMENTATION SEE DRAWING A1-06-0055-0002

- NOTES
 1. ALL FASTENERS GR B 8 HOT DIP GALVANISED
 2. ALL MOTORS 380 V 3 PHASE
 3. ALL CONTROL CIRCUITS 24V DC
 4. ALL INSTRUMENTATION 24V DC

REFERENCE	NO.	DESCRIPTION	DATE	CHECK	TOLERANCES			DRAWN		MK		MATERIAL
					ABOVE	INCL	MACH	FABR	CAS	DATE	2006/10/12	
					0.5	3	0.1	-	CHECKED			
					3	6	0.1	1	DATE	2006/10/12		
					6	30	0.2	1.5	ENGINEER	DT		
					30	120	0.2	2.5	DATE	2006/10/12		
					120	315	0.5	3	PROJ N	1ST ANGLE		
					315	1000	0.8	4				
					1000	2000	1.2	4.5				
					2000	1500	1.5	5				

MechProTech (Pty) Ltd.
 Mechanical Product and Technology Development for Industry

HYDRAMIX 3x8M*3 HI-RATE REAGENT PLANT

SCALE: 1:50 DRWG NO: **A1-06-0055-0001** SHEET 1 OF 1