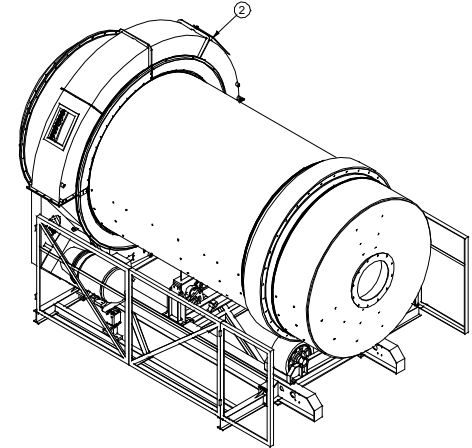
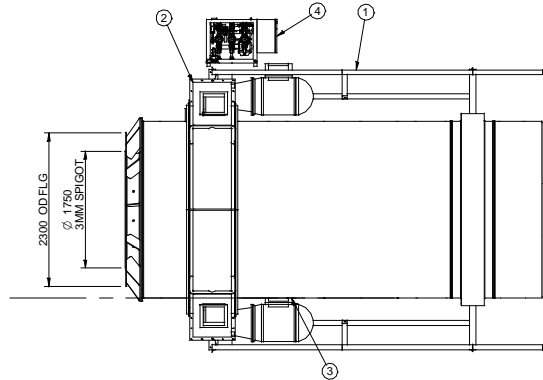
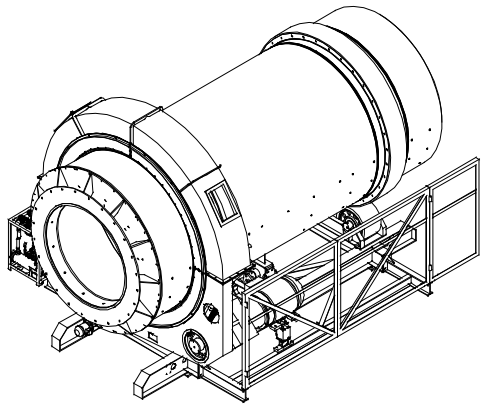
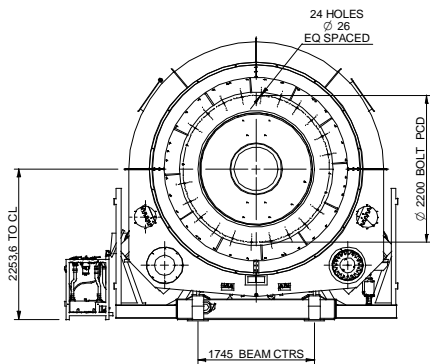


DO NOT SCALE

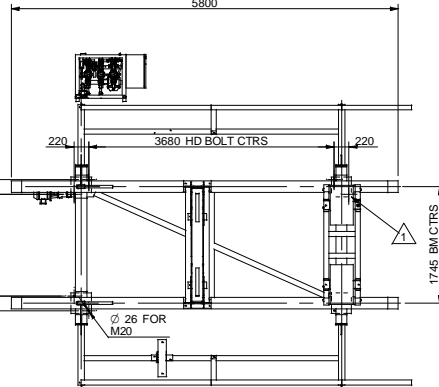
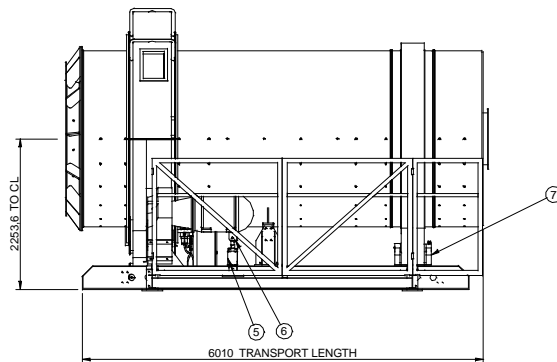


1:40

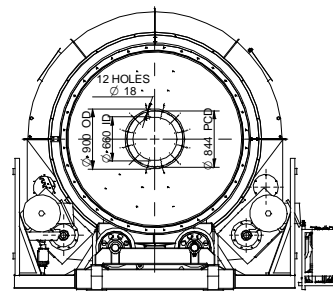


LOADS ON EACH MAIN BEAM UNDER DRIVE BEARING

DEAD LOAD : 48 KN
 ROTATING LOAD : 50 KN
 PROCESS LOAD : 45KN



TOP VIEW BASE STRUCT



LOADS ON EACH MAIN BEAM UNDER NON DRIVE BEARING

DEAD LOAD : 22 KN
 ROTATING LOAD : 49 KN
 PROCESS LOAD : 37 KN

| Item Number | Document Number | Title | Quantity | Mass |
|-------------|-----------------|------------------------|----------|------------|
| 1 | 07-0072-5024 | BASE FRAME ASSEMBLY | 1 | 3941.5 kg |
| 2 | 07-0072-4052 | DRIVE ASSEMBLY | 1 | 5694.7 kg |
| 3 | 07-0072-4002 | DRUM ASSEMBLY | 1 | 21950.5 kg |
| 4 | 07-0093-5092 | LUBE SYSTEM | 1 | 157.3 kg |
| 5 | 07-0092-5039 | PNEUMATIC CYLINDER | 1 | 7.4 kg |
| 6 | 07-0072-5038 | MOTOR SUPPORT BRACKET | 1 | 24.4 kg |
| 7 | 07-0072-6001 | SUPPORT WHEEL ASSEMBLY | 1 | 703.3 kg |

| REFERENCE | NO. | DESCRIPTION | DATE | CHECK | DT | TOLERANCES | | | DRAWN | DT | |
|-----------|-----|-------------|------|-------|----|------------|------|------|-------|----------|------------|
| | | | | | | ABOVE | INCL | MACH | FABR | CAS | DATE |
| | | | | | | 0.5 | 3 | 0.1 | - | CHECKED | SE |
| | | | | | | 3 | 6 | 0.1 | 1 | DATE | 2008/02/07 |
| | | | | | | 6 | 30 | 0.2 | 1.5 | ENGINEER | DT |
| | | | | | | 30 | 120 | 0.3 | 2.5 | DATE | 2008/02/07 |
| | | | | | | 120 | 315 | 0.5 | 3 | PROJ N | 1ST ANGLE |
| | | | | | | | | | | MATERIAL | matl |

MechProTech (Pty) Ltd.
 Mechanical Product and Technology Development for Industry

**2.6M DIAMETER X 6 M LONG SCRUBBER
 CW 180 KW DRIVE**

SCALE: 1:40 DRG NO: A1-07-0072-4012 REV: 2 SHEET 1 OF 1